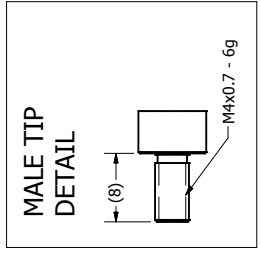
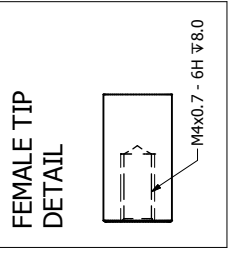
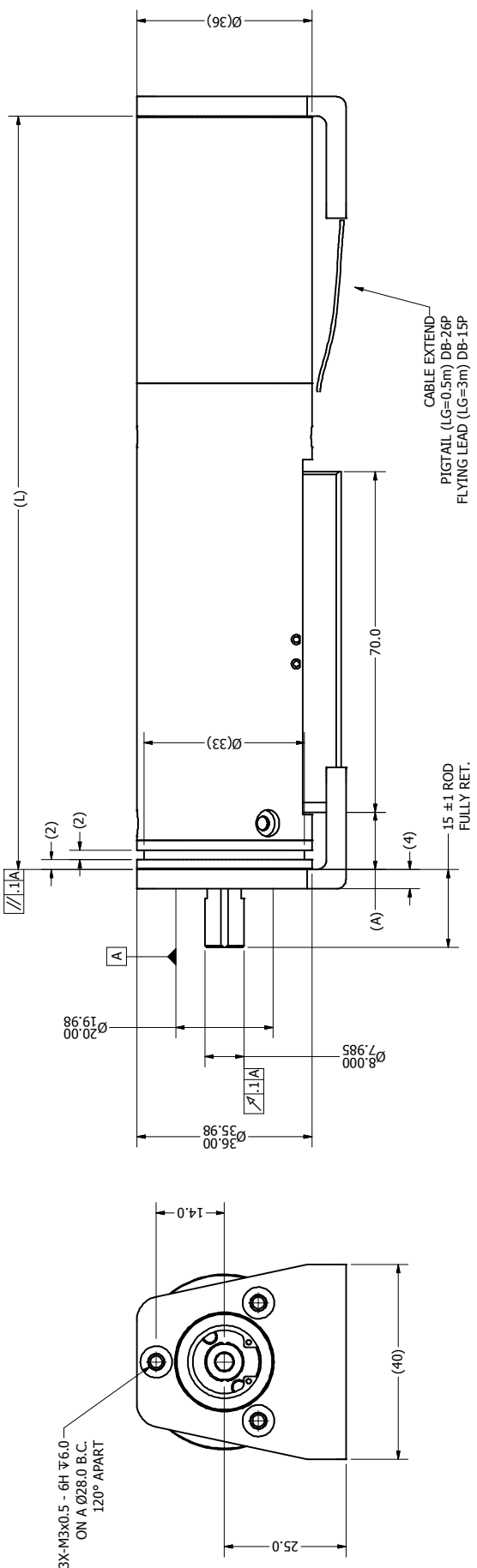


NOTES (UNLESS OTHERWISE SPECIFIED)
 1. ALL DIMENSIONS ARE IN mm UNLESS OTHERWISE NOTED.
 2. OPERATING TEMPERATURE: 0°C TO 65°C.



REVISION HISTORY			
REV	DATE	DESCRIPTION	APPROVED
B.5	08/14/2009	RELEASE	TOAN VU
C	10/23/2014	NEW PART #	JUSTIN

REVISION HISTORY			
REV	DATE	DESCRIPTION	APPROVED
B.5	08/14/2009	RELEASE	TOAN VU
C	10/23/2014	NEW PART #	JUSTIN

DB 26P PINOUT			
PIN No	FUNCTION	PH-A*	PH-B*
1	(AXIS 1) PH-A*		
2	(AXIS 1) PH-B*		
3	(AXIS 1) PH-Z*		
5	NC		
6	VOR-TN		
7	NC		
8	NC		
10	(AXIS 1) PH-A*		
11	(AXIS 1) PH-B*		
12	(AXIS 1) PH-Z*		
14	NC		
15	NC		
16	NC		
17	NC		
18	NC		
20	SV-RTN		
21	(AXIS 1) COIL +		
22	(AXIS 1) COIL -		
23	(AXIS 1) COIL -		
24	(AXIS 1) COIL -		
25	NC		
26	NC		

DETAIL			
No	Descriptions	UNIT	DETAIL
1	LINEAR STROKE	mm	
2	PEAK FORCE	N	
3	FORCE CONSTANT	N/A	
4	ENCODER RESOLUTION	counts	
5	ENCODER REPEATABILITY	um	
6	MAXIMUM CURRENT	Amp	
7	MAXIMUM TORQUE	mm	
8	WEIGHT	g	
9	TOTAL MASS	kg	
10	TOTAL DIMENSION (L)	mm	
11	PH-Z	mm	
12	SV-RTN	mm	

DETAIL			
No	Descriptions	UNIT	DETAIL
5	LINEAR STROKE	mm	
15		mm	
18		mm	
25		mm	
27		mm	
27		mm	
5,1,0,1		mm	
4		mm	
2		mm	
15		mm	
0.90		mm	
0.15		mm	
1.270		mm	
202		mm	
155		mm	
212		mm	
13		mm	
13		mm	
35		mm	

DETAIL			
No	Descriptions	UNIT	DETAIL
5	LINEAR STROKE	mm	
15		mm	
15		mm	
25		mm	
25		mm	
27		mm	
27		mm	
5,1,0,1		mm	
4		mm	
4		mm	
2		mm	
15		mm	
0.90		mm	
0.15		mm	
1.270		mm	
202		mm	
155		mm	
212		mm	
13		mm	
13		mm	
35		mm	

SMAC ASSIGNED BY: JIA/2009 DRAWN BY: TOAN VU PART NAME: CAL-36-XXX-YY-Z (BASE MT) DATE: 10/23/2014 APPROVED BY: JUSTIN		REF. NUMBER: BASE MOUNT DATE: 10/23/2014 SHEET NUMBER: 1 OF 1 REVISION: C
MATERIAL: 3.2 EXCEPT NOTED NONE NONE NONE		TOLERANCES ARE: 0.40 0.11 0.05 XXX ANGULARITY ± 0.1° CONCENTRICITY ± 0.05 EDGE BREAK 0.02 MAX CHAMFER 0.03 MAX FILE NAME: CAL-36-XXX-YY-Z.C (BASE)
DO NOT SCALE DIMS		